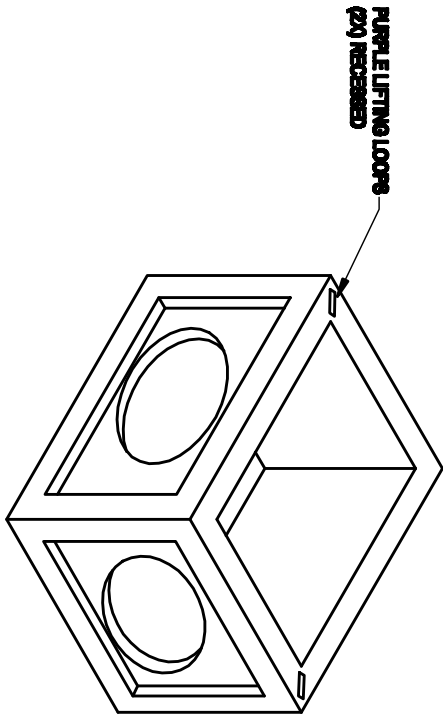


- NOTES:**
1. Intentionally left blank
 2. Steel reinforcement: A.S.T.M. A199-A615 Grade 60-60 ksi
 3. Intentionally left blank
 4. Concrete: 4000 psi @ 28 days, 5% - 9% air entrainment
 5. Intentionally left blank
 6. Intentionally left blank
 7. Design loading A-0.3/ 300 psf - walkways, flotation forces not accounted for
 8. Max. cover over tank: 3" of earth fill
 9. Min. 1" concrete cover over reinforcement
 10. Tank to conform with ASTM C1227
 11. Basin can support H-20 loading



MHCP MID-HUDSON CONCRETE PRODUCTS ROUTE 9, GOLD SPRING, NY 10918 (945) 285-3288	PRODUCT SPECIFICATION KNOCKOUT CATCH BASIN 24" X 24" X 24"	DRAWING NUMBER: 242424-CBKO 8/20/20
---	--	---