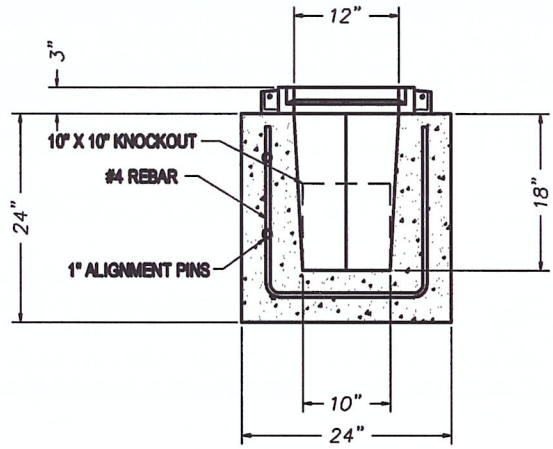
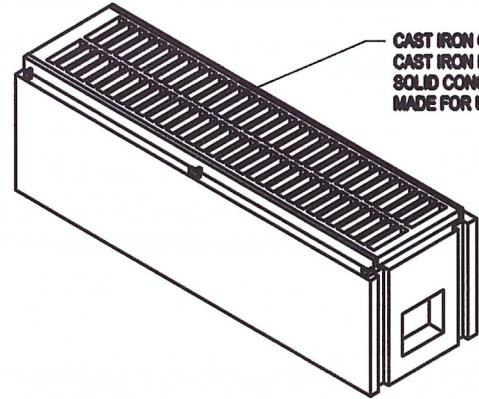


**PRODUCT SPECIFICATION**  
**TRENCH DRAIN, 24"**

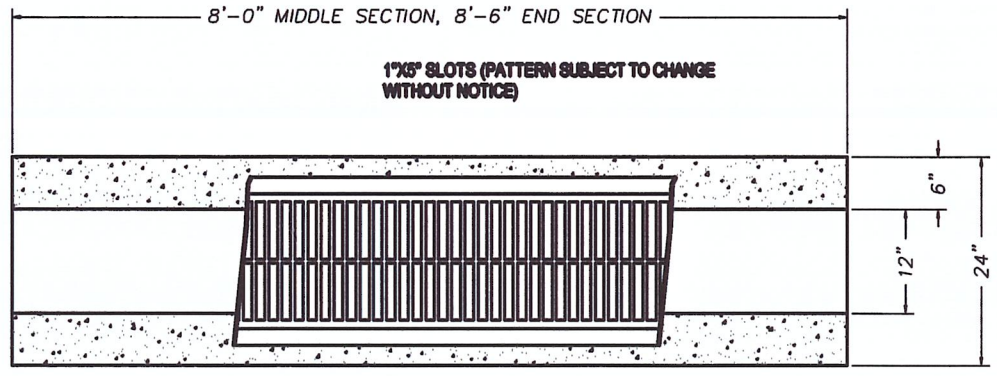
**DRAWING NUMBER:**  
 TD-24  
 6/10/13



**SECTION VIEW**



CAST IRON GRATE: 14" X 24" SECTIONS  
 CAST IRON FRAME: 48" SECTIONS  
 SOLID CONCRETE COVERS CAN BE  
 MADE FOR USE AS A UTILITY TRENCH



**TOP VIEW**