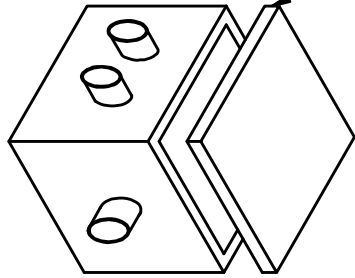
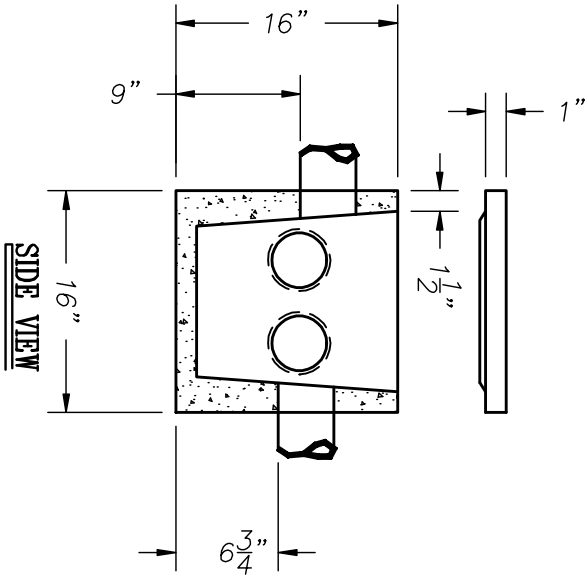


4" POLYLOK SEALS
(6 PLACES)

ROOF TO CONTAIN
638 (40) WMM AT
MIN. THICKNESS



TOP VIEW



SIDE VIEW

NOTES:

1. Intentionally left blank
2. Steel reinforcement: A.S.T.M. A196-A615 Grade 60-60 ksi
3. Intentionally left blank
4. Concrete: 4000 psi @ 28 days, 5% - 9% air entrainment
5. Equipped with polylok seals
6. Intentionally left blank
7. Design loading A-0.3/ 300 psf - walkways, flotation forces not accounted for
8. Max. cover over tank: 3" of earth fill
9. Min. 1" concrete cover over reinforcement
10. Tank to conform with ASTM C1227



PRODUCT SPECIFICATION
6 HOLE DISTRIBUTION BOX

DRAWING NUMBER:
6H-DB
3/13/2012