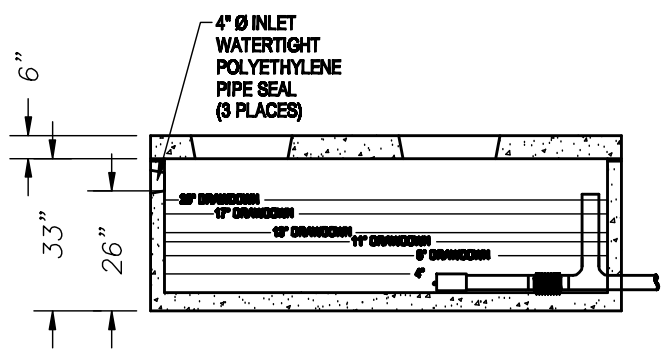
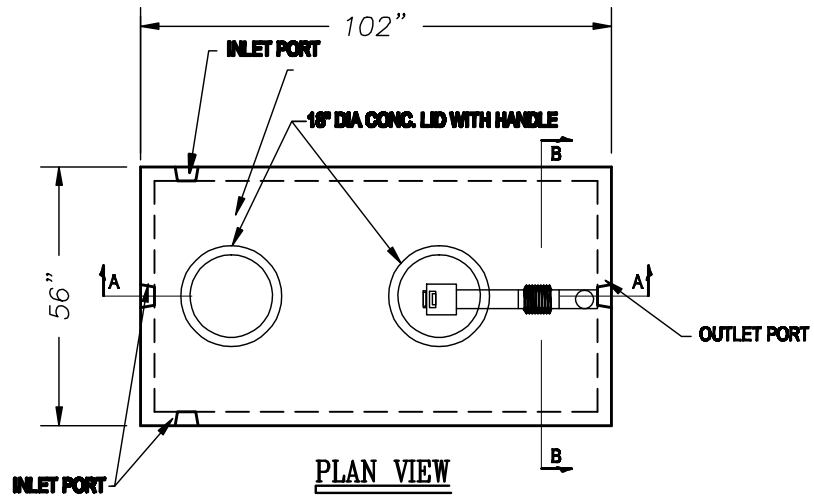


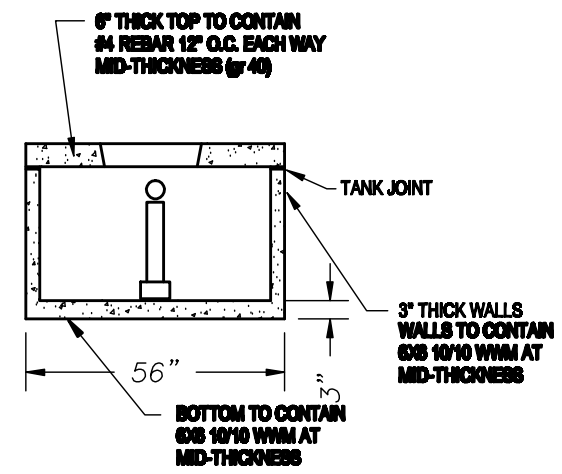
NOTES:

1. Intentionally left blank
2. Steel reinforcement: A.S.T.M. A496-A615 Grade 60-60 ksi
3. Joints sealed with asphalt cement or equal
4. Concrete: 4000 psi @ 28 days, 5% - 9% air entrainment
5. Equipped with polylok seals
6. Intentionally left blank
7. Design loading A-0.3/ 300 psf - walkways, floatation forces not accounted for
8. Max. cover over tank: 3' of earth fill
9. Min. 1" concrete cover over reinforcement
10. Tank to conform with ASTM C1227



SECTION A-A

LENGTH	LOW LEVEL	DRAW	DOSE
102"	4"	8"	186 Gal
102"	4"	11"	229 Gal
102"	4"	13"	270 Gal
102"	4"	17"	353 Gal
102"	4"	20"	416 Gal



SECTION B-B